



# RSD-S-PLC

- Meets NEC 2017 & 2020 (690.12) requirements
- Executes rapid shutdown of system when Transmitter-PLC signal is absent
- Meets SunSpec requirements

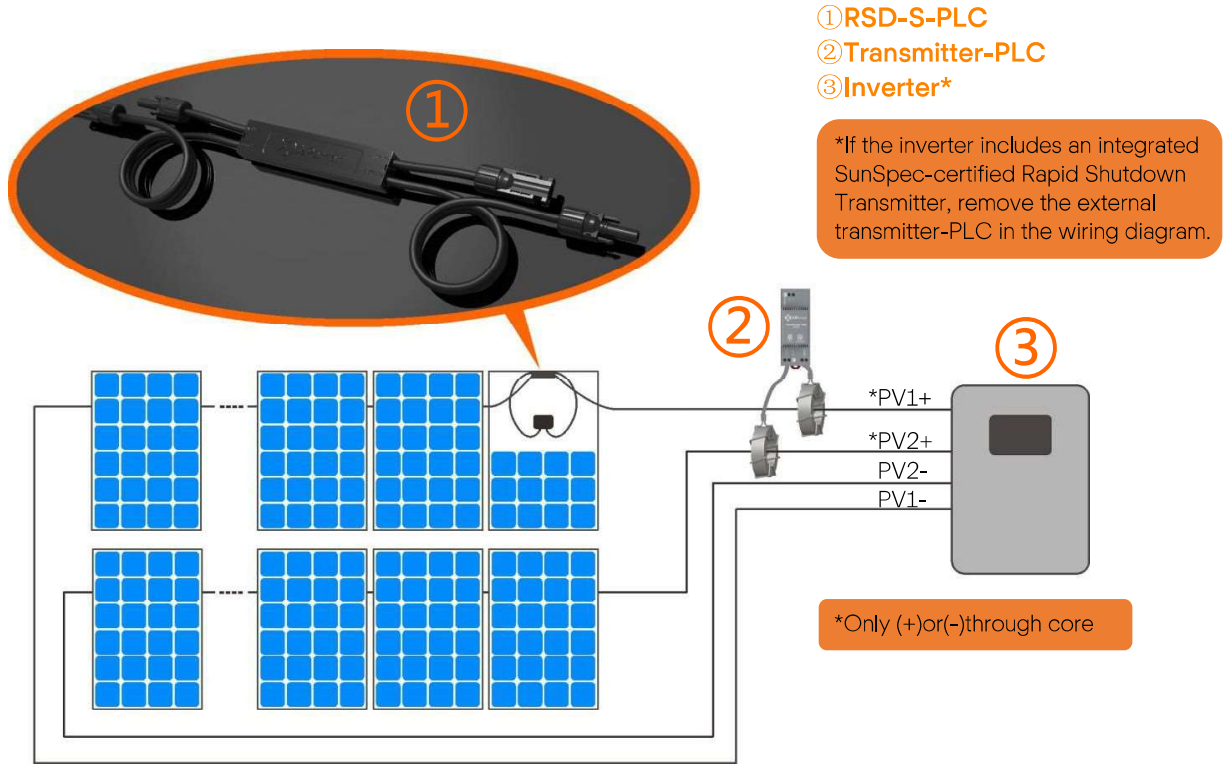
The RSD-S-PLC meets SunSpec requirements, maintaining normal function by continually receiving a heartbeat signal from the APsmart Transmitter. The RSD executes rapid system shutdown when the Transmitter signal is absent. Users can manually execute rapid shutdown using Transmitter breaker switch.

## > RSD-S-PLC TECHNICAL DATA

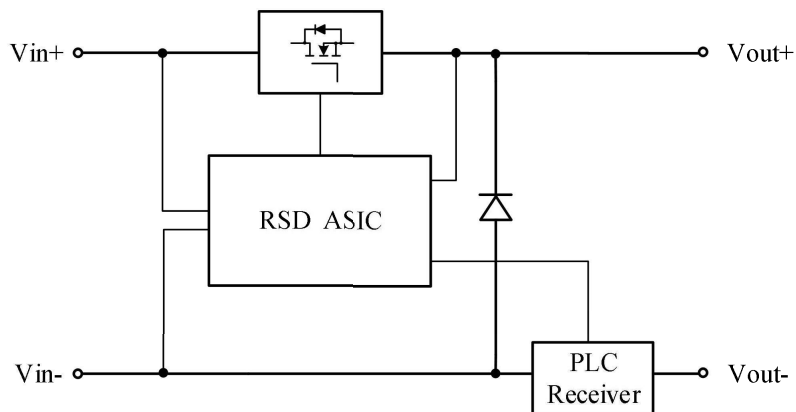
MODEL	RSD-S-PLC
<b>INPUT DATA (DC)</b>	
Input Operating Voltage Range	8-80V
Maximum Cont. Input Current (Imax)	15A
Maximum Short Circuit Current (Isc)	25A
<b>OUTPUT DATA (DC)</b>	
Output Operating Voltage Range	8-80V
Maximum System Voltage	1000V/1500V
Maximum Series Fuse Rating	30A
<b>MECHANICAL DATA</b>	
Operating Ambient Temperature Range	-40°F to +185°F (-40 °C to + 85 °C)
Dimensions (without cable & connectors)	5" x 1.2" x 0.6"(129 mm x 30 mm x 16 mm)
Cable Length	Input 250mm/Output 1200mm
Cable Cross Section Size	UL:12AWG
Connector	Stäubli MC4 PV-KBT4&KST4 or Customize
Enclosure Rating	NEMA Type 6P/IP68
Over Temperature Protection	Yes
<b>FEATURES &amp; COMPLIANCE</b>	
Communication	PLC
Safety Compliance	NEC 2017 & 2020 (690.12); UL1741; CSA C22.2 No. 330-17; IEC/EN62109-1; 2PFG2305
EMC Compliance	FCC Part15; ICES-003;IEC/EN61000-6-1/-2/-3/-4



> RSD-S-PLC WIRING DIAGRAM



> WORKING SCHEMATIC DIAGRAM



ORDERING INFORMATION

415002	1500V UL, 1.2m cable, Stäubli MC4 PV-KBT4&KST4
415001	1000V UL, 1.2m cable, Customized connector



## Raising the bar in innovative DC MLPE solar power systems



# RSD-D

- Meets NEC 2017 & 2020 (690.12) requirements
- Executes rapid shutdown of system when Transmitter-PLC signal is absent
- Meets SunSpec requirements
- Dual-input channel

RSD-D meets SunSpec requirements, maintaining normal function by continually receiving a heartbeat signal from the APsmart Transmitter. The RSD-D executes rapid system shutdown when the Transmitter signal is absent. Users can manually execute rapid shutdown using Transmitter breaker switch.

### > RSD-D TECHNICAL DATA

MODEL	RSD-D-15	RSD-D-20
<b>INPUT DATA (DC)</b>		
Range of Input Operating Voltage	8-65V Per Channel	
Maximum Cont. Input Current (Imax)	15A Per Channel	20A Per Channel
Maximum Short Circuit Current (Isc)	25A	
<b>OUTPUT DATA (DC)</b>		
Range of Output Operating Voltage	16-130V	
Maximum Cont. Output Current	15A	20A
Maximum System Voltage	1000V/1500V	
Maximum Series Fuse Rating	30A	
<b>MECHANICAL DATA</b>		
Operating Ambient Temperature Range	-40 °F to +167 °F (-40 °C to + 75 °C)	
Dimensions (without cable & connectors)	5.5" x 2" x 0.8"(140 mm x 50.6 mm x 20 mm)	
Cable Length	Input 500mm/Output 2200mm	
Cable Cross Section Size	TUV:4mm <sup>2</sup> /UL:12AWG	
Connector	Stäubli MC4 PV-KBT4&KST4 or Customize	
Enclosure Rating	NEMA Type 6P/IP68	
Over temperature protection	Yes	
<b>FEATURES &amp; COMPLIANCE</b>		
Communication Compliance	PLC	
Safety Compliance	NEC 2017 & 2020 (690.12); UL1741; CSA C22.2 No. 330-17; IEC/EN62109-1	
EMC Compliance	FCC Part15; ICES-003	

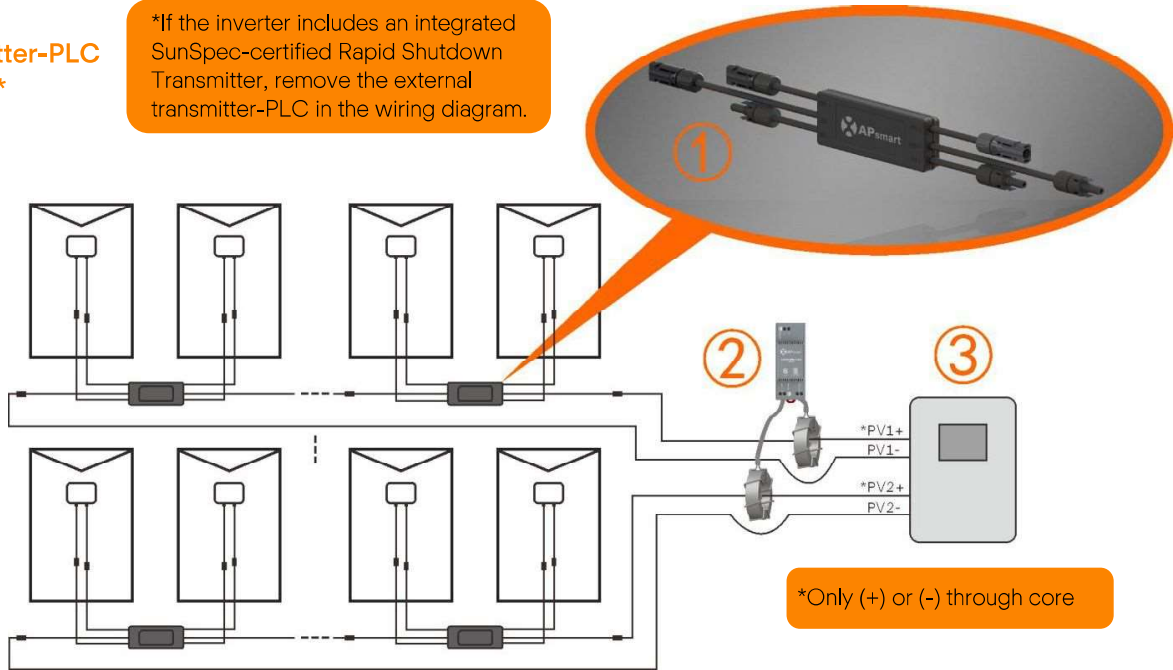


© All Rights Reserved

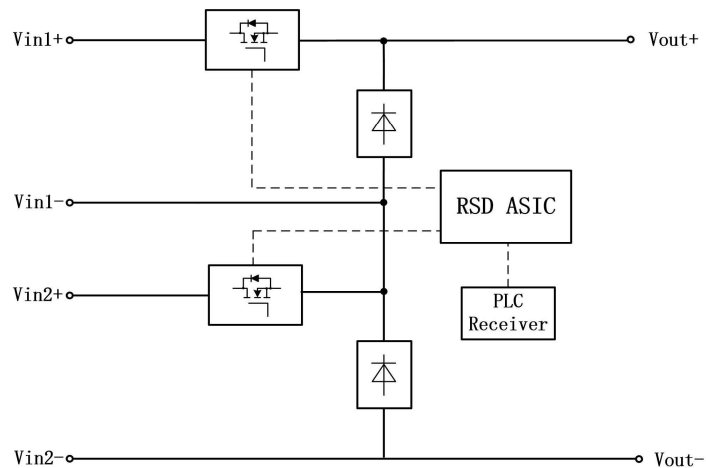
> RSD-D WIRING DIAGRAM

- ① RSD-D
- ② Transmitter-PLC
- ③ Inverter\*

\*If the inverter includes an integrated SunSpec-certified Rapid Shutdown Transmitter, remove the external transmitter-PLC in the wiring diagram.



> WORKING SCHEMATIC DIAGRAM



ORDERING INFORMATION

426101	1500V UL/1000V TUV, 15A, 2.2m cable, Stäubli MC4 PV-KBT4&KST4
446101	1500V UL/1000V TUV, 20A, 2.2m cable, Stäubli MC4 PV-KBT4&KST4
4261xx*	15A, 2.2m cable, Customize connector
4461xx*	20A, 2.2m cable, Customize connector

\*please see the RSD Series Ordering Information